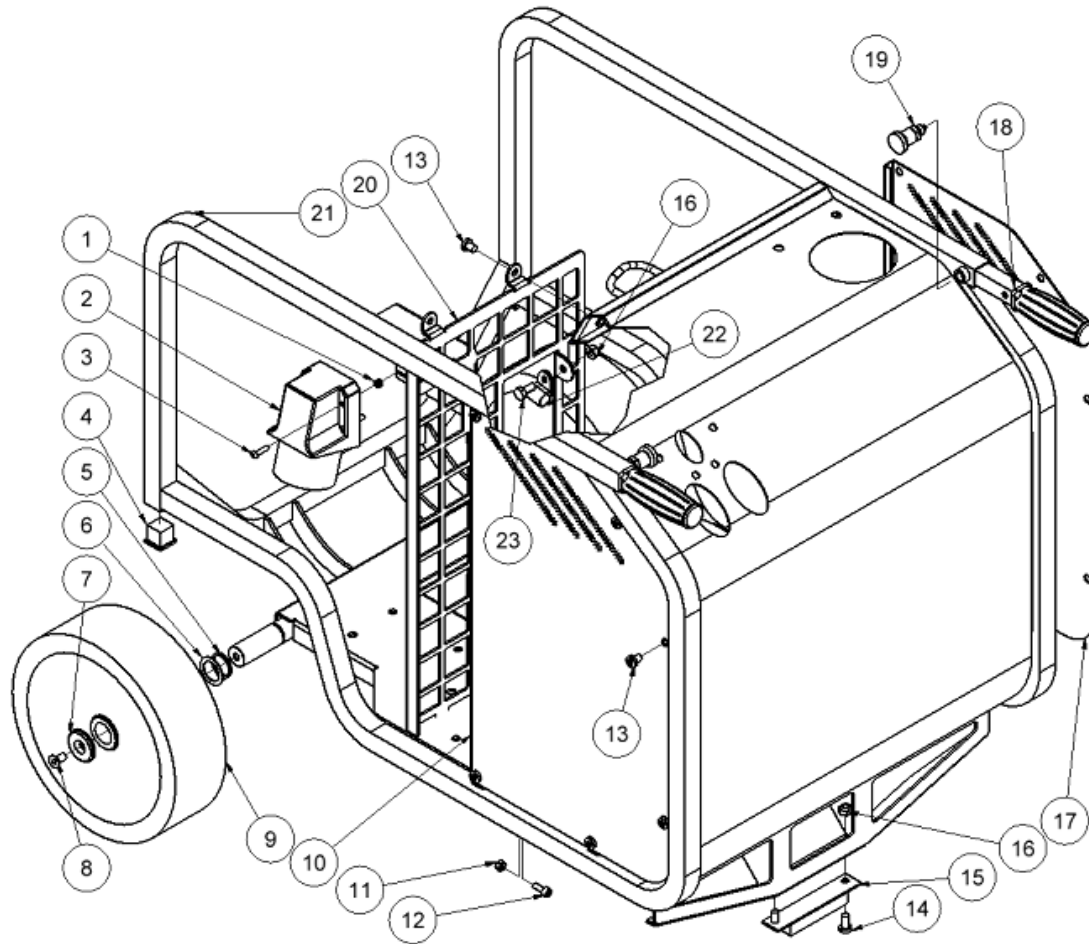


HPP18E spare parts list

From serial No. 13912

Fig. 1

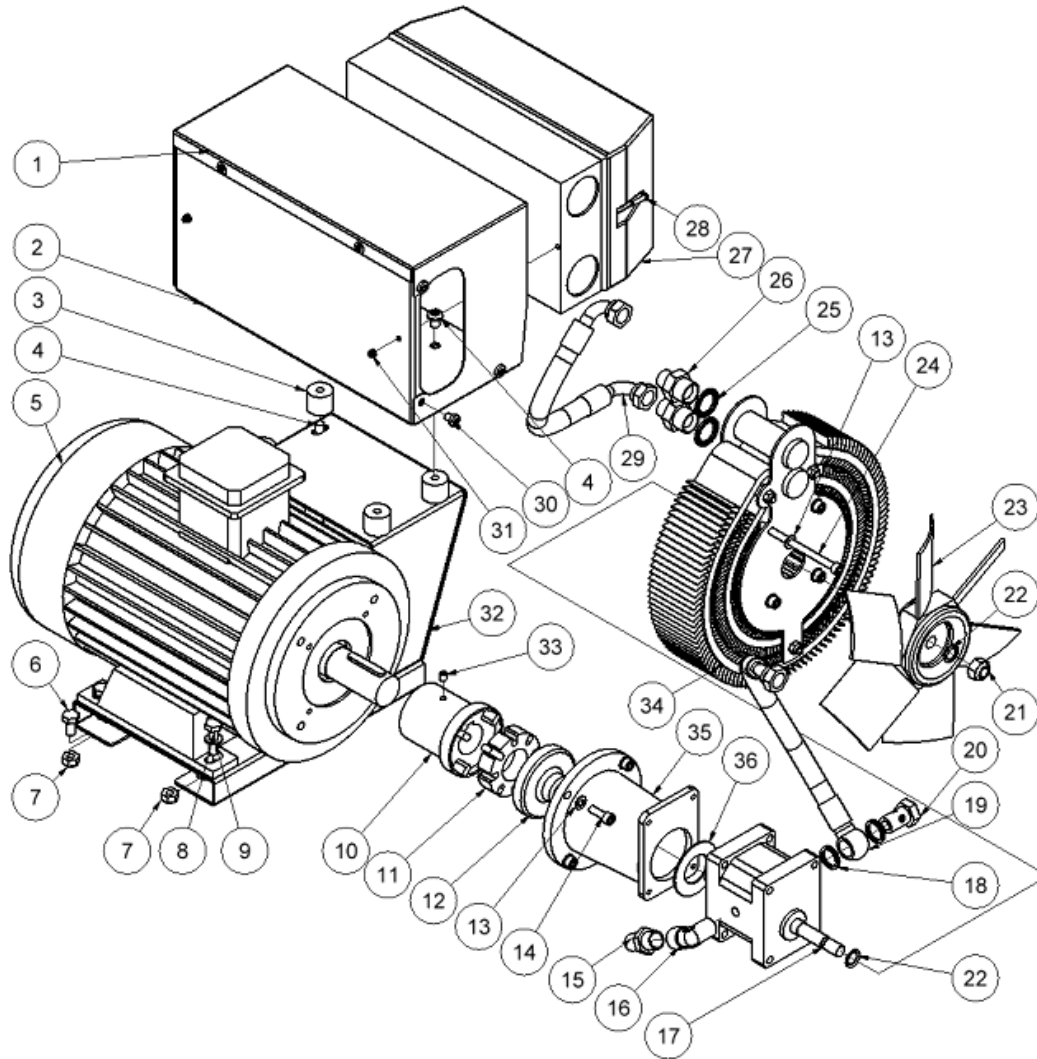


| Pos. | Part No. | Description | Pcs. |
|------|----------|----------------------------------|------|
| 1 | 7633361 | Nut M5 | 4 |
| 2 | 9923402 | CEE Plug w/Phase changer | 1 |
| 3 | 7632550 | Screw M5x20 | 4 |
| 4 | 7721125 | Tube plug 25x25 | 2 |
| 5 | 7621098 | Retaining ring 25x2 | 2 |
| 6 | 7621100 | Shim ring 25/35/1 mm | 2 |
| 7 | 8223321 | Wheel lock | 2 |
| 8 | 7632539 | Screw M8x16 | 2 |
| 9 | 8722384 | Wheel | 2 |
| 10 | 8223341 | Side cover right | 1 |
| 11 | 7621029 | Nut M6 | 2 |
| 12 | 7621332 | Screw M6x16 | 2 |
| 13 | 7621042 | Screw M8x10 | 14 |
| 14 | 7621044 | Screw M8x16 | 2 |
| 15 | 8721095 | Rubber foot | 1 |
| 16 | 7621010 | Lock nut M8 | 3 |
| 17 | 223340 | Side cover left | 1 |
| 18 | 9022430 | Pull-out handle w/rubber grip | 2 |
| 19 | 7721197 | Bolt <i>Loctite 243</i> | 2 |
| 20 | 8223346 | Safety guard | 1 |
| 21 | 8223339 | Chassis complete HPP18E/18E FLEX | 1 |
| 22 | 7421065 | Cable brace | 1 |
| 23 | 7623004 | Screw M8x18 | 1 |

HPP18E spare parts list

From serial No. 13912

Fig. 2

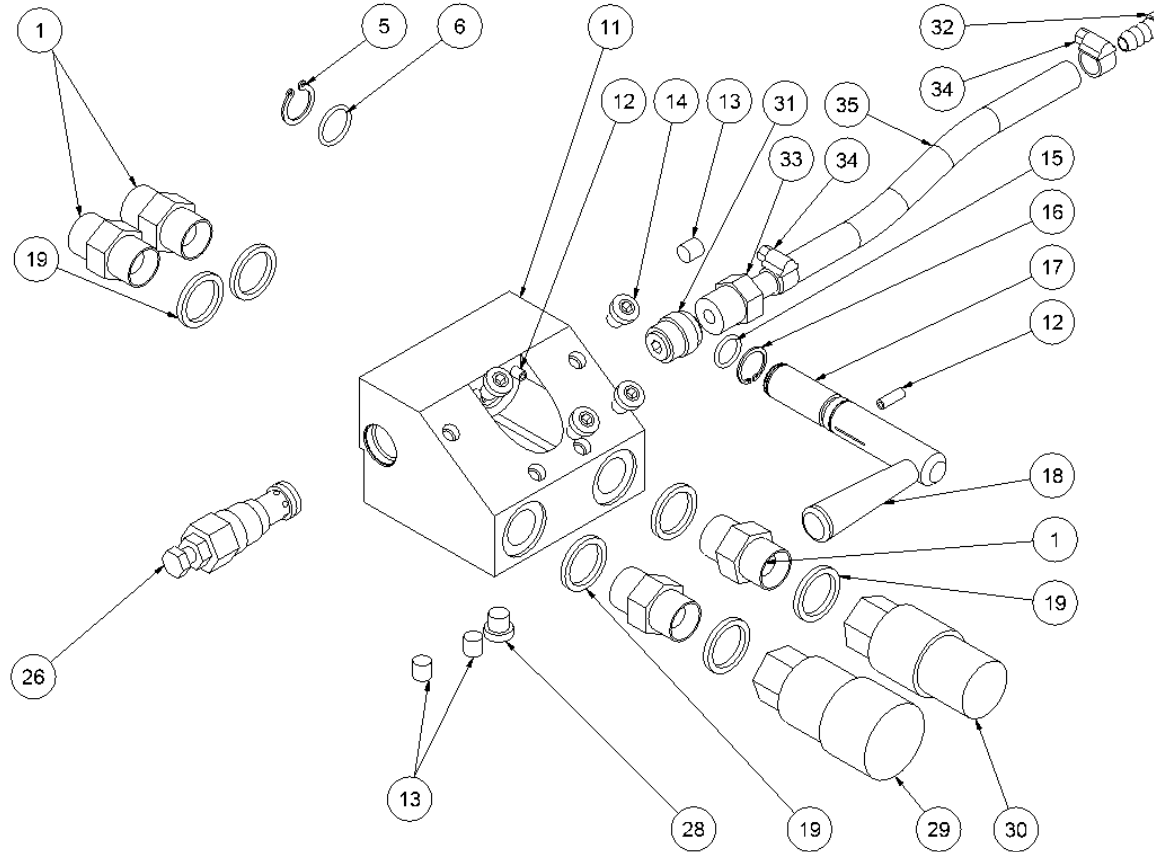


| Pos. | Part No. | Description | Pcs. |
|------|----------|--|------|
| 1 | 8223389 | Starter cover | 1 |
| 2 | 8223390 | Starter frame | 1 |
| 3 | 8722356 | Rubber damper ø30x25 | 4 |
| 4 | 7623338 | Screw M10x12 | 8 |
| 5 | 7321321 | Electro motor 11.0 kW | 1 |
| 6 | 7621334 | Screw M10x20 | 2 |
| 7 | 7621027 | Nut M10 | 4 |
| 8 | 7621163 | Screw M10x35 | 4 |
| 9 | 7621172 | Washer M10 | 4 |
| 10 | 7421438 | Coupling engine part | 1 |
| 11 | 7421437 | Rubber coupling | 1 |
| 12 | 7421439 | Coupling pump 20 Nm | 1 |
| 13 | 7621171 | Washer M8 | 4 |
| 14 | 7631496 | Screw M8x25 | 4 |
| 15 | 7421080 | Hose fitting 3/4"x1/2" Loctite 542 | 1 |
| 16 | 7421060 | Angle nipple 1/2" Loctite 542 | 1 |
| 17 | 7421434 | Pump 11 ccm for HPP18E 30 l.p.m. | 1 |
| 17 | 7421624 | Pump 14 ccm for HPP18E 40 l.p.m. | 1 |
| - | 9021667 | Seal kit for hydraulic pump | 1 |
| 18 | 7521072 | Seal ring 1/2" | 2 |
| 19 | 8721443 | Pressure hose w/banjo | 1 |
| 20 | 7421062 | Banjo bolt 1/2" | 1 |
| 21 | 7621111 | Nut M14x1.5 | 1 |
| 22 | 7621117 | Spring washer M14 | 2 |
| 23 | 8321561 | Fan ø280-6 | 1 |
| 24 | 7621043 | Screw M8x110 for HPP18E 30 l.p.m. Loctite 243 - 15 Nm | 4 |
| 24 | 7621770 | Screw M8x120 for HPP18E 40 l.p.m. Loctite 243 - 15 Nm | 4 |
| 25 | 7521118 | Seal ring 3/4" | 2 |
| 26 | 7421582 | Fitting 1/2"x3/4" | 2 |
| 27 | 7323366 | 11kW Y/D starter | 1 |
| 28 | 7632550 | Screw M5x20 | 2 |
| 29 | 8721721 | Cooler pressure hose | 1 |
| 30 | 7621042 | Screw M8x10 | 8 |
| 31 | 7633361 | Nut M5 | 2 |
| 32 | 8223387 | Motor stand | 1 |
| 33 | 7621031 | Set screw M8x8 Loctite 243 - 7 Nm | 1 |
| 34 | 2121103 | Cooler complete | 1 |
| 35 | 7421068 | Coupling housing | 1 |
| 36 | 9922133 | Centering washer | 1 |

HPP18E spare parts list

From serial No. 13912

Fig. 3

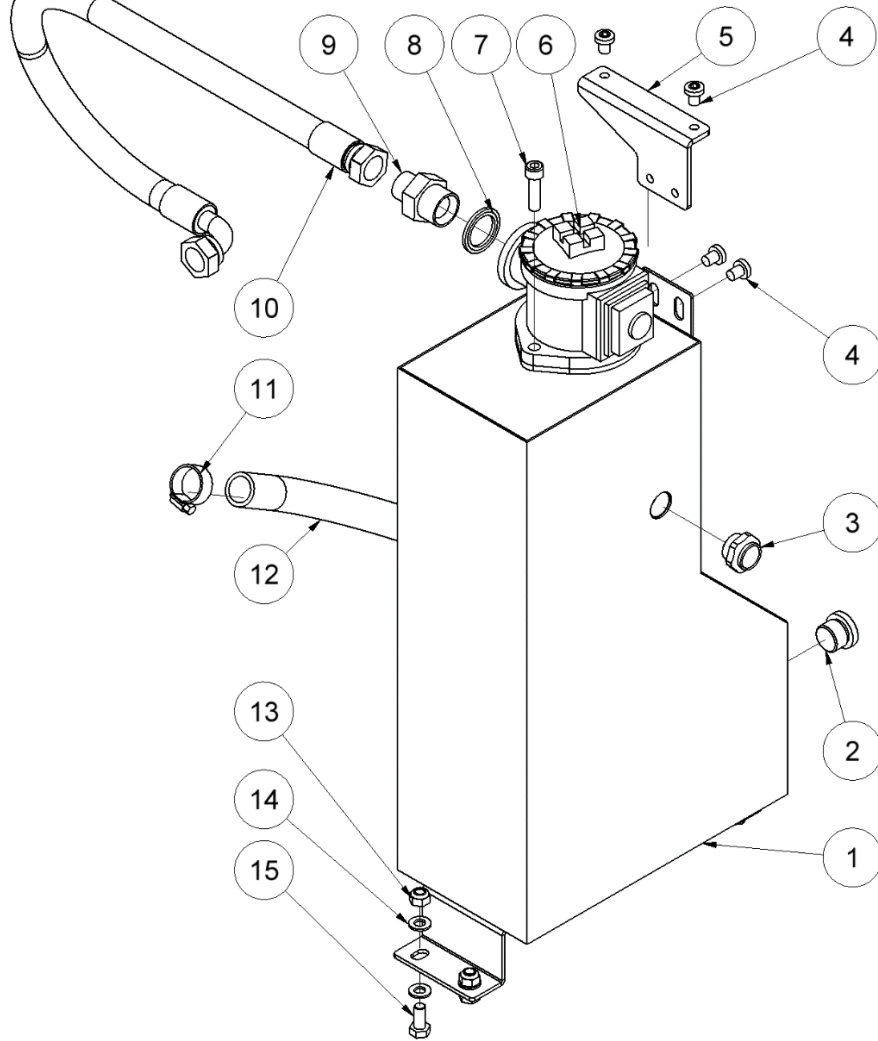


| Pos. | Part No. | Description | Pcs. |
|------|----------|--|------|
| 1 | 7421063 | Fitting 1/2"x1/2" BSP | 4 |
| 5 | 7621606 | Retaining ring A17 | 1 |
| 6 | 7521609 | O-ring 17x2 mm | 1 |
| 11 | 8221731 | Valve block | 1 |
| 12 | 7621050 | Roll pin \varnothing 5x14 | 3 |
| 13 | 7621037 | Pipe plug 1/8" <i>Loctite 542</i> | 3 |
| 14 | 7621044 | Screw M8x16 | 4 |
| 15 | 7521608 | O-ring 13x2 mm | 1 |
| 16 | 7621607 | Retaining ring AV17 | 1 |
| 17 | 8221605 | Spool | 1 |
| 18 | 7721094 | Lever ON/OFF <i>Loctite 243</i> | 1 |
| 19 | 7521072 | Seal ring 1/2" | 6 |
| 26 | 7421587 | Pressure relief valve <i>40 Nm</i> | 1 |
| 28 | 7621323 | Threaded plug 1/8" w/seal | 1 |
| 29 | 7401142 | Q.R. coupling 1/2" BSP female | 1 |
| 30 | 7401141 | Q.R. coupling 1/2" BSP male | 1 |
| 31 | 7421733 | Check valve | 1 |
| 32 | 7421734 | Hose fitting 3/8"x1/8" | 1 |
| 33 | 7421735 | Hose fitting 3/8"x1/2" <i>Loctite 542</i> | 1 |
| 34 | 7421740 | Hose clip 3/8" | 2 |
| 35 | 9021739 | Hose 3/8" | 1 |
| - | 2121660 | Valve block complete HPP18E/18E FLEX | 1 |

HPP18E spare parts list

From serial No. 13912

Fig. 4

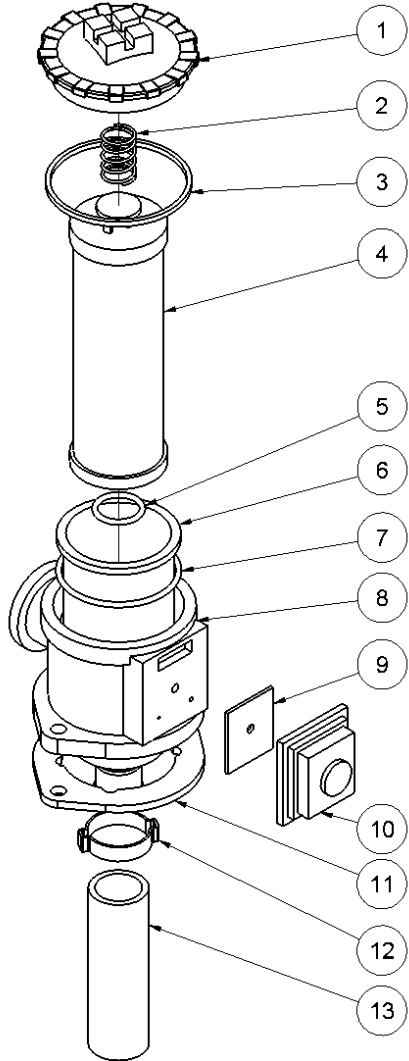


| Pos. | Part No. | Description | Pcs. |
|------|----------|-----------------------------------|------|
| 1 | 8223342 | Hydraulic oil tank HPP18 | 1 |
| 2 | 7621075 | Threaded plug 1/2" w/ seal | 1 |
| 3 | 7721099 | Sight glass 1/2" w/ seal | 1 |
| 4 | 7621042 | Screw M8x10 | 4 |
| 5 | 8223343 | Tank mount bracket | 1 |
| 6 | 8421092 | Filter arrangement complete | 1 |
| 7 | 7621045 | Screw M8x30 <i>Loctite 243</i> | 2 |
| 8 | 7521118 | Seal ring 3/4" | 1 |
| 9 | 7421582 | Fitting 1/2"x3/4" | 1 |
| 10 | 8723397 | Cooler pressure hose | 1 |
| 11 | 7421082 | Hose clip 3/4" | 2 |
| 12 | 9021769 | Suction hose 3/4" | 1 |
| 13 | 7621010 | Nut M8 | 4 |
| 14 | 7621171 | Washer M8 | 8 |
| 15 | 7623004 | Screw M8x18 | 4 |

HPP18E spare parts list

From serial No. 13912

Fig. 5



| Pos. | Part No. | Description | Pcs. |
|------|----------|---|------|
| 1 | 9421189 | Filter cover | 1 |
| 2 | 9421193 | Filter spring | 1 |
| 3 | 9421502 | Seal f/filter cover <i>Included in 9421188</i> | 1 |
| 4 | 9421190 | Filter element | 1 |
| 5 | - | O-ring ø3x22 <i>Included in 9421188</i> | 1 |
| 6 | - | Filter cup | 1 |
| 7 | - | O-ring ø3x60 <i>Included in 9421188</i> | 1 |
| 8 | - | Filter housing | 1 |
| 9 | 9422041 | Ventilation filter | 1 |
| 10 | 9422042 | Cover f/ventilation filter | 1 |
| 11 | - | Seal <i>Included in 9421188</i> | 1 |
| 12 | 7621789 | Hose clamp | 1 |
| 13 | 9022043 | Filter hose | 1 |
| - | 9421188 | Seal kit filter <i>Pos. 3, 5, 7 and 11</i> | 1 |
| - | 8421092 | Filter complete <i>Pos. 1-13</i> | 1 |