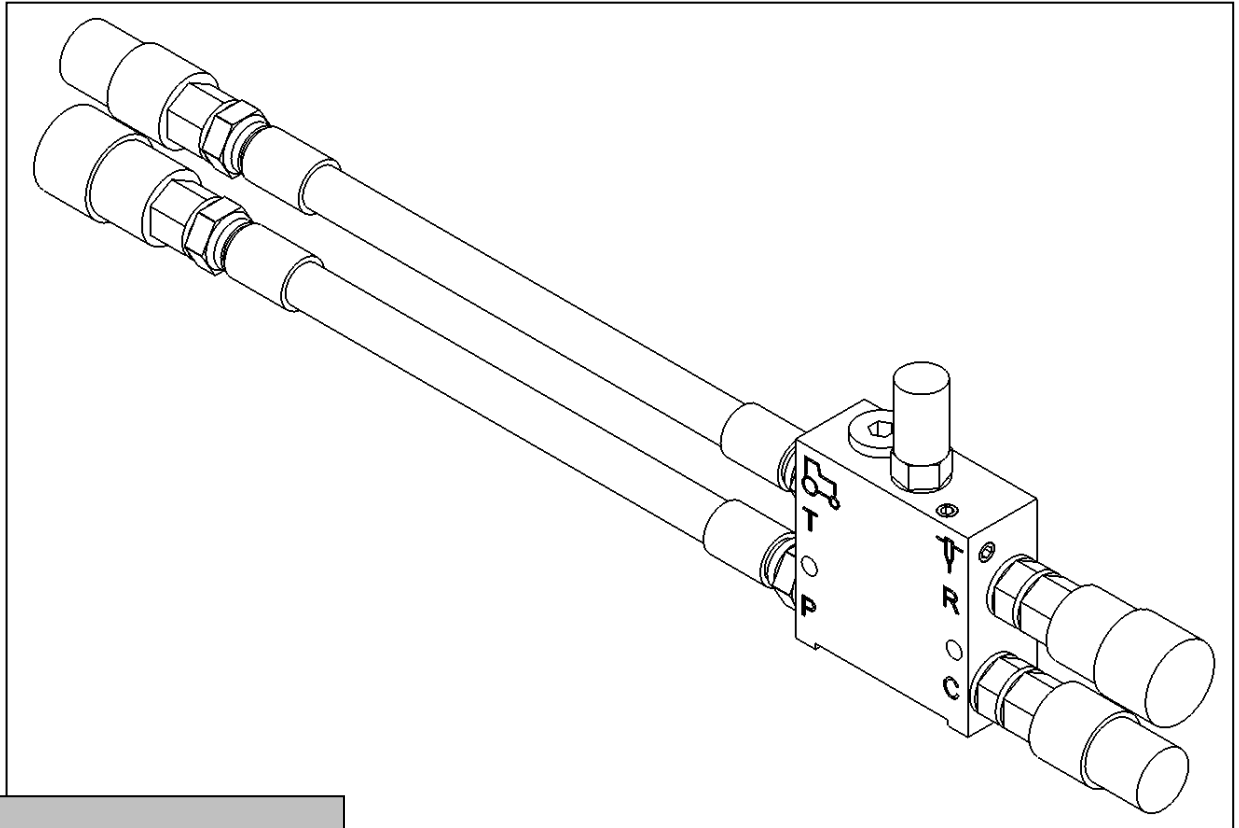


Operating Manual



Prior to Operation

We thank you for choosing a HYCON oil flow divider.

We recommend you to study this operating manual carefully and pay special attention to the chapter about

Safety Precautions

We hope you will be satisfied with your new HYCON oil flow divider.

Best regards
HYCON A/S

HFD Oil Flow Divider

From serial number 0750

Revised February 2005



HYCON A/S
Juelstrupparken 11
DK-9530 Støvring
Denmark

Tel: +45 9647 5200
Fax: +45 9647 5201
Mail hycon@hycon.dk
www.hycon.dk

Contents

	Page
Safety Precautions	2
Technical Data	3
Connection.....	4
Service and Maintenance	5
Oil Types	5
Warranty Terms	6
Spare Parts List	7

Safety Precautions

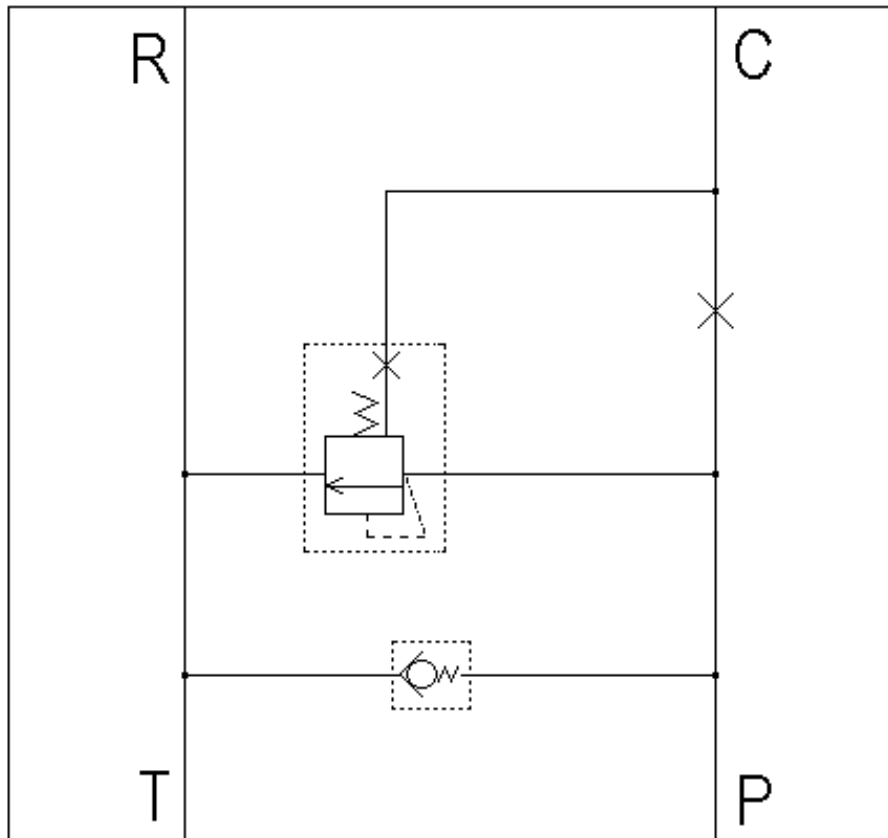
- A fine jet of oil at pressure can penetrate the skin. It is therefore important never to use your fingers to check for oil leaks and never to hold your face close to suspected leaks – use a piece of cardboard instead. If oil has penetrated the skin, you should get medical treatment immediately.
- Always use approved hoses - contact your dealer, if necessary. Mount the hoses correctly. See the chapter about "Connection".
- High oil temperature may result in the flow divider getting warmer than usual and the operator risks getting burnt or nit.
- To avoid all personal injury and damage to material, all repair, maintenance and service work must be carried out by authorized or properly trained persons only.

IMPORTANT

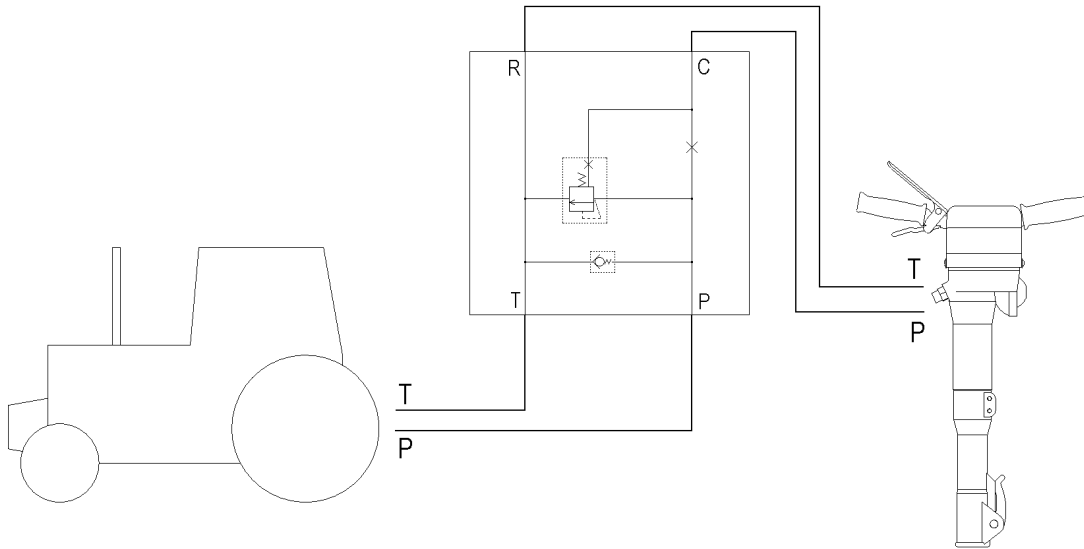
- Always use hoses, couplings and spares as such recommend by HYCON A/S.
- Repairs may only be carried out by experienced personnel.
- Make sure that all couplings are cleaned before connection.
- Always disconnect the hydraulic circuit before connecting or disconnecting the tool from the flow divider. If this is not done, there is a risk of damage to the quick release couplings or the hydraulic system getting superheated.

Technical Data

Pressure relief valve (power source)	Max. 240 bar
Oil flow (power source)	Max. 80 l.p.m. in
Pressure relief valve	160 bar
Oil flow out	20,30 or 40 l.p.m. The oil flow is regulated by interchangeable nozzles Standard is 20 l.p.m.



Connection



The oil flow divider can be connected to various power sources, like excavators, trucks, loaders, tractors etc. The oil flow divider reduces the flow from these machines so that they can be used as power source for the HYCON hydraulic tools, e.g. breakers.

If the oil flow divider is supplied with an oil flow much higher than used by the tool, the excessive oil will be transformed into heat. Therefore never let the power source run with higher oil flow (number of revolutions) than necessary.

Connect the port marked P on the flow divider to the power source feed line and the port marked T on the flow divider to the power source return line.

The tool can then be connected to the oil flow divider.

Service and Maintenance

Service/Maintenance	Daily	Weekly	Yearly
Check couplings and clean carefully	X		
Check hoses	X		

Oil Types

HYCON tools use standard hydraulic oil, i.e. all types of mineral oil and biodegradable oil, which comply with the following values:

Recommended viscosity	20-40 cSt
Permitted viscosity	15-1000 cSt
Viscosity index	Min. 100
Temperature area	-20° to +70° C

If using biodegradable oil, we recommend the use of oil based on rape. Other types of oil can be aggressive towards the seals. If you are in doubt, please ask your dealer.

Warranty Terms

We grant 12 months warranty from the first date of operation – however, not more than 18 months from the date of delivery.

The warranty applies to faults that can be related to construction and production errors.

Faults caused by incorrect operation, incorrect handling, lack of maintenance or the like, will not be accepted as warranty.

The warranty covers the parts necessary for repair and the suggested average time needed for repair.

For further warranty details, please contact your local dealer.