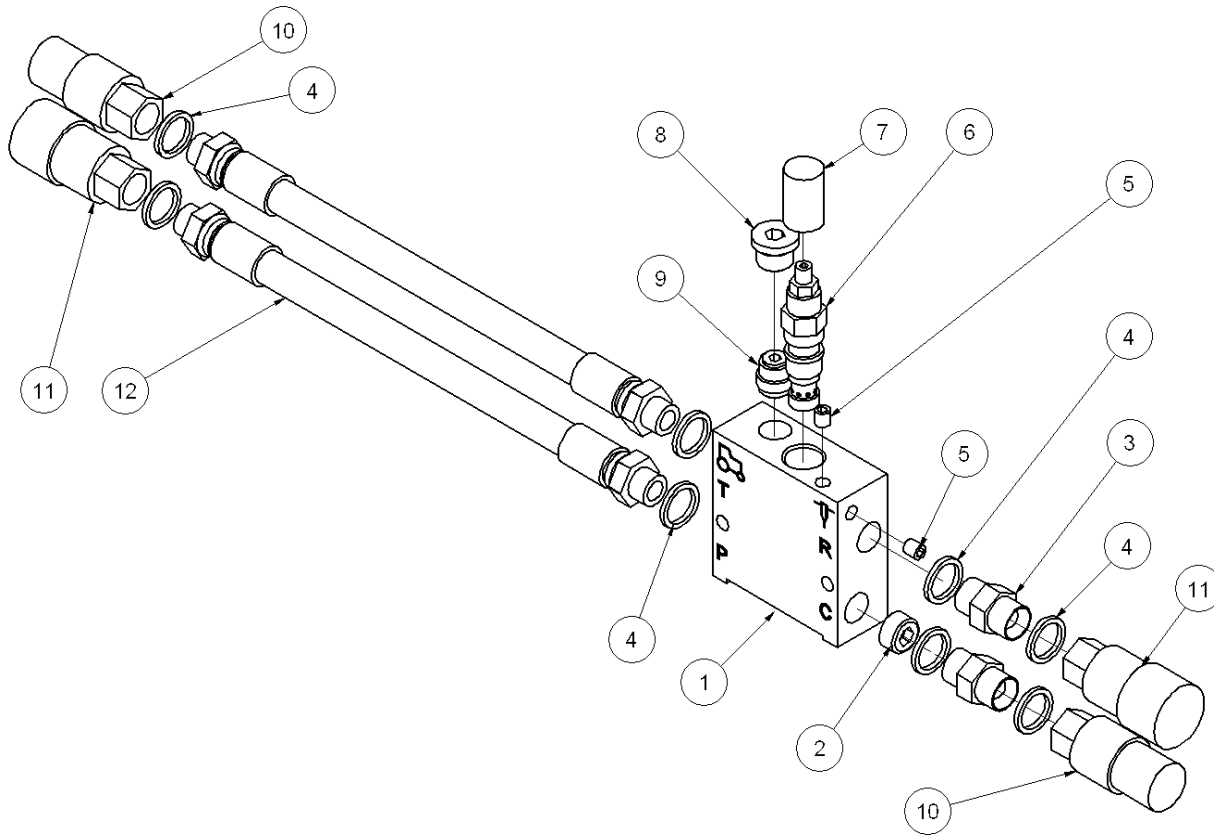


# HFD oil flow divider spare parts list

## From serial number 0750



| Pos. | Part No. | Description                                      | Pcs. |
|------|----------|--|------|
| 1    | 8231814  | Aluminium block                                  | 1    |
| 2    | 8231817  | Nozzle 20 l.p.m. / 5 g.p.m.                      | 1    |
| 2    | 8231818  | Nozzle 30 l.p.m. / 8 g.p.m.                      | 1    |
| 2    | 8231819  | Nozzle 40 l.p.m. / 10 g.p.m.                     | 1    |
| 2    | 8232799  | Nozzle 45 l.p.m. / 12 g.p.m.                     | 1    |
| 3    | 7421063  | Fitting 1/2"x1/2" BSP                            | 2    |
| 4    | 7521072  | Seal ring 1/2"                                   | 8    |
| 5    | 7621037  | Pipe plug 1/8"<br><i>Loctite 542</i>             | 2    |
| 6    | 7431815  | Regulating valve<br><i>Incl. pos. 7. - 40 Nm</i> | 1    |
| 7    | 7431816  | Protective cap                                   | 1    |
| 8    | 7621075  | Threaded plug 1/2" w/seal                        | 1    |
| 9    | 7421733  | Check valve                                      | 1    |
| 10   | 7401141  | Q.R. coupling 1/2" BSP male                      | 2    |
| 11   | 7401142  | Q.R. coupling 1/2" BSP female                    | 2    |
| 12   | 8741090  | Tailhose 1/2"                                    | 2    |